

ÍNDEX

1. GENERAL GUIDELINES	15
1.1. OBJECTIVE OF THE MANUAL.....	15
1.2. WHERE TO KEEP THE MANUAL.....	15
2. WARRANTY.....	15
3. INSIDE THE BOX	17
4. BASIC SAFETY GUIDELINES	18
4.1. WHO CAN USE THE MASTER BUCKER.	18
4.2. REPAIRING THE MASTER BUCKER	18
4.3. HOW TO SWITCH OFF THE MASTER BUCKER	18
4.4. USER´S SAFETY.	19
5. DISCLAIMERS.....	19
6. TRANSPORT.....	20
7. ELECTRICAL CONNECTION.....	20
8. CONDITIONS OF USE.....	20
9. FUNCTION	20
10. ASSEMBLE THE MACHINE.....	21
10.1. ASSEMBLING THE MACHINE.	21
10.2. CONTROLS TO BE CARRIED OUT BEFORE CONNECTING .	21
10.3. CONNECT THE MACHINE.....	21
10.4. PRODUCT CONDITIONS	21
10.5. PREPARATION OF THE PRODUCT	22
10.6. HOW TO USE THE MACHINE.	22
10.7. SPEED AND QUALITY CONTROL	22
11. MAINTENANCE.....	22
11.1. CLEAN THE INPUT DESIGN AND ROLLERS.....	23
12. ELECTRICAL CIRCUIT	23
13. WASTE DISPOSAL.....	24
14. RESIDUAL RISKS	24

1. GENERAL GUIDELINES

1.1. Objective of the manual

This instructions manual allows the users to familiarize their-selves with:

- How to work with the machine
- How to use the machine
- Security guidelines
- Maintenance

1.2. Where to keep the manual

Always keep the instructions manual by the machine. The instructions must always be on hand.

2. WARRANTY

All the Master Product machines have 5 years warranty for all defective parts provided by the manufacturer.

The manufacturer is not responsible for misuse or bad maintenance of the machine.

For the warranty, it is necessary to show the invoice and contact the manufacturer at (info@masterproducts.es)

Security symbols

In this manual the following symbols are used to indicate danger and important information.



DANGER

Danger: This symbol signifies that there is an immediate danger of health and/or mortality.

Ignoring these warnings could result in grave effects on health, including serious injury leading to mortality.



WARNING

Warning: This symbol signifies that there is a possible immediate danger to health and life.

Ignoring these warnings could result in grave effects on health, including serious injury leading to mortality.



TAKE CARE

Take care: This symbol signifies the existence of a possibly dangerous situation.

Ignoring these warnings could result in grave effects on health, including serious injury leading to mortality.



IMPORTANT

Important: This symbol gives important guidelines for the correct use of the machine.

Ignoring these warnings could result in grave effects on health, including serious injury leading to mortality.



INFORMATION

Information: Under this symbol suggestions and practical information is found.

Ignoring these warnings could result in grave effects on health, including serious injury leading to mortality.

3. INSIDE THE BOX



1 MT Bucker



Power Cable



1 Cleaning Kit



4. BASIC SAFETY GUIDELINES

The MASTER PRODCUTS machines can only be used by individuals that have read and understood the respective instructions and maintenance manual.

The MASTER PRODCUTS machines are built for a safe use in accordance with the level of technology. However, if used in an incorrect manner it can result in various risks.

4.1. **Who can use the MASTER BUCKER.**

The MASTER BUCKER machine can only be used by an adult who has read and understood the instructions manual. The unit will have to be switched off for any unusual operation and that might affect the electrical installation, including; moving the machines, transporting the machine and maintenance (such as cleaning the machine).

In any case the machine has to be disconnected from the electrical power to ensure that it cannot switch on.

4.2. **Repairing the MASTER BUCKER**



Only a qualified MASTER PRODUCTS worker can disassemble, repair and install new parts, in the case of the machine's warranty period, only a MASTER PRODUCTS employee can work on the machine without losing the warranty.

4.3. **How to switch off the MASTER BUCKER**

MASTER PRODUCTS machines are switched off under any circumstances every time you press the switch on / off.

Before performing any maintenance on the machine, you have to disconnect it from the main electricity supply.



4.4. User's safety.

- The material that is fed to the input design of the machine can only be either wet herbaceous and / or semi-woody plants. Don't introduce metallic parts to the input design, otherwise the movement can cause damage to the machine and injury the worker.

ALWAYS WEAR GLOVES AND SECURITY GOGGLES WHEN USING THE MACHINE AND AVOID LOOSE CLOTHING.

- Keep hands and hard objects away from the input design.
- Do not look directly at the holes of the input design while the machine is working, as there are fragments that can shoot up and damage the worker
- Always wear protective goggles.
- Only use the machine if it is in perfect conditions, otherwise possible risks of injury to user can occur.
- Safety devices (switches, electrical system, frequency variator, gears, racks ...) cannot be dismantled under any circumstances



5. DISCLAIMERS

Modifications of the MASTER PRODUCTS machines without the permission of the producer are not allowed. The manufacturer disclaims any liability for canceling the warranty for any modified machines and disclaims any liability for failures and accidents that may result.

During the warranty period MASTER PRODUCTS machines may only be disassembled and repaired by the manufacturer mechanics or its representatives.



6. TRANSPORT

The machine is transported in the boxes used by the manufacturer, in the position provided by the manufacturer.

Pallet 85 x 85 x 160 cm. Weight: 130 Kg (Gross weight including pallet)



7. ELECTRICAL CONNECTION

The electrical connection of the MASTER PRODUCTS machine must be carried out by a 230V power supply.



8. CONDITIONS OF USE

MASTER PRODUCTS machines are suitable to use indoors and outdoors. Under no circumstances, it can't be exposed to moisture or water. Particularly, the electrical system must always be dry.

9. FUNCTION

MASTER PRODUCTS machines can be used with all types of herbaceous and / or semi-woody plants. All materials that are not of this nature cannot be processed.

MASTER TRIMMER distributes a cutting mechanism that cannot be altered by the consumer. If the input design or the rollers are changed or cleaned, it is essential to comply the safety regulations that are provided. Section 4

10. ASSEMBLE THE MACHINE

10.1. Assembling the machine.

- Remove the machine of the pallet and place it in a flat surface.
- The machine is already assembled, so you won't need to do any extra assemble. It's ready to work.

10.2. Controls to be carried out before connecting

- Make sure that the input design is securely closed to the machine

10.3. Connect the machine

- Connect the machine to a power source
- Press the "ON" switch

10.4. Product Conditions

The conditions of the material to work are very important. The MT Bucker has been designed to work the majority of the varieties and it is capable of processing large quantities. Even though, we must pay attention to the way of use of the machine and the conditions of the product.

The MT Bucker has been designed to work with wet and dry flowers. You can select the input design you want to work with, depending on the variety of the flower and the level of humidity. The MT Bucker has a speed controller device. Select a slower speed to gently debud dry flowers without damaging them, or speed up for just pruned fresh stems.

10.5. Preparation of the product

Cut the plant by branches, leaving the lower part of the branch clean of small branches, in order not to hinder the process of debudding.

The input design has different die holes sizes for you to choose which one fits better with every branch.

Cleaning the bottom of the branches will be useful to facilitate the entry of the product into the input holes. We also recommend you to make a cut of 45 ° at the bottom of the branch to make easier the input between the 2 rollers

10.6. How to use the machine.

Take into account several aspects:

1. The recommendation is to install the machine on a flat surface. It can work both indoors or outdoors.
2. Tilt the machine according to the height of the operator.
3. Wear safety gloves and goggles.
4. Place a container to collect the buds.
5. Turn on the machine with the power switch.
6. Take a branch and insert it into the die hole that best fits with the size of the stem. When you put the product through the slot, you will notice that it sucks the branch in, and the flowers will fall into the container.
7. Repeat the process with a new branch.

10.7. Speed and Quality Control

Check the appearance of the flower when leaving the input design.

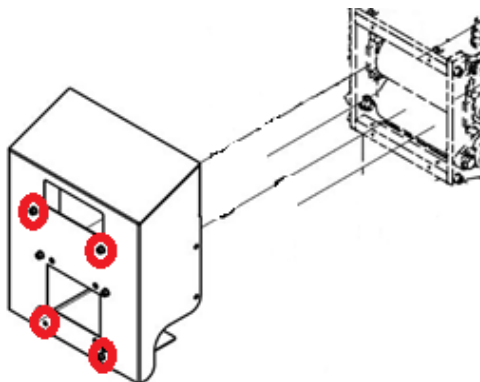
Depending on the state of the flower, you can improve the quality with the speed regulator. If you need a softer cut, slow down the speed. If you can still work faster, speed it up.

11. MAINTENANCE

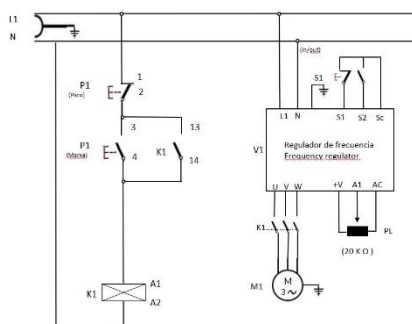


11.1. Clean the input design and rollers

- Clean frequently the input design and the rollers with the cleaner-machines MASTERCLEAN.
- Disconnect the machine from the electricity supply and wait 20 seconds.
- Spray the MASTERCLEAN directly over the input design to clean it.
- To clean the rollers, remove the 4 front allen screws marked in red, remove the 4 back allen screws, pull the housing out to access the 2 rollers, and clean with MASTERCLEAN



12. ELECTRICAL CIRCUIT



13. WASTE DISPOSAL



- The waste disposal should be done in accordance to the national laws

14. RESIDUAL RISKS

Incorrect use of the machine.

Reason	Danger	Remaining risk	Precaution
Look at the machine	Danger of material expelled	Possible injuries to the face and eyes	See 3.4 of the instructions manual.
Crushing explosive materials	fire and explosion hazard	any danger of burn wounds	Only use the suggested material
Maintenance	Hand can get caught in the rollers.	danger of serious injury or amputation	disconnect the machine from the power supply
Putting fingers through the grid	the rollers may catch clothing or fingers	danger of serious injury or amputation	See 3.4 of the instructions manual.
removing the safety devices or protective sheets	The mobile parts can catch clothing, can injure members or lead to amputations	danger of serious injury or amputation	You may not remove the protective elements and safety devices